

KRUŽNICA

- 1) Kako glasi jednačica kružnice kojoj je točka $S(0, -1)$ središte, a prolazi točkom $A(1, 2)$?

$$S(0, -1), A(1, 2)$$

$p \quad q \quad x \quad y$

$$(x-p)^2 + (y-q)^2 = r^2$$

$$(1-0)^2 + (2+1)^2 = r^2$$

$$1^2 + 3^2 = r^2$$

$$1 + 9 = r^2$$

$$r^2 = 10$$

$$(x-0)^2 + (y+1)^2 = 10$$

$$\boxed{x^2 + (y+1)^2 = 10}$$

- 2) Napisi jednačicu kružnice koja prolazi točkama $A(3, 4)$, $B(0, 5)$, $C(4, -3)$.

$$(x-p)^2 + (y-q)^2 = r^2$$

$$(3-p)^2 + (4-q)^2 = r^2$$

$$(0-p)^2 + (5-q)^2 = r^2$$

$$(4-p)^2 + (-3-q)^2 = r^2$$

$$\begin{aligned} (-3-q)^2 &= (3+q)^2 \\ &= 9 + 6q + q^2 \end{aligned}$$

$$9 - 6p + p^2 + 16 - 8q + q^2 = r^2$$

$$p^2 + 25 - 10q + q^2 = r^2$$

$$16 - 8p + p^2 + 9 + 6q + q^2 = r^2$$

$$p^2 - 6p + q^2 - 8q + 25 = r^2$$

$$p^2 + q^2 - 10q + 25 = r^2 \quad | \cdot (-1)$$

$$p^2 - 8p + q^2 + 6q + 25 = r^2$$

$$p^2 - 6p + q^2 - 8q + 25 = r^2 \quad | +$$

$$-p^2 - q^2 + 10q - 25 = -r^2 \quad | +$$

$$p^2 - 8p + q^2 + 6q + 25 = r^2 \quad | +$$

$$-6p + 2q = 0 \quad | : 2$$

$$-8p + 16q = 0 \quad | : 8$$

$$-3p + 2q = 0 \quad | \cdot (-2)$$

$$-p + 2q = 0$$

$$6p - 2q = 0 \quad | +$$

$$-p + 2q = 0 \quad | +$$

$$5p = 0 \quad | : 5$$

$$\boxed{p = 0}$$

$$0 + 2q = 0$$

$$2q = 0 \quad | : 2$$

$$\boxed{q = 0}$$

$$p^2 + 25 - 10q + q^2 = r^2$$

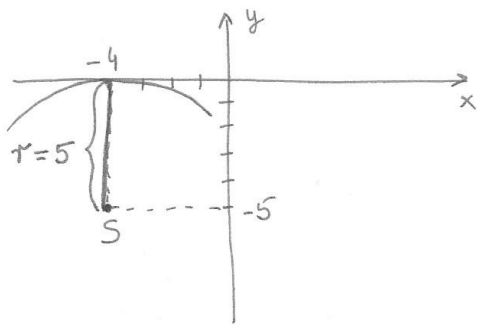
$$25 = r^2$$

$$\boxed{r^2 = 25}$$

$$(x-p)^2 + (y-q)^2 = r^2$$

$$\boxed{x^2 + y^2 = 25}$$

- 3) Kružnica sa središtem u $S(-4, -5)$ diči x-os. Napiši jednačinu!



$$(x-p)^2 + (y-q)^2 = r^2$$

$$(x+4)^2 + (y+5)^2 = 5^2$$

$$\boxed{(x+4)^2 + (y+5)^2 = 25}$$

- 4) Odredi jednačinu kružnice koja prolazi tačkama A(4,4) i B(-3,3), a središte joj je na x-osi.

$$S(p, 0)$$

$$(x-p)^2 + (y-q)^2 = r^2$$

$$(4-p)^2 + (4-0)^2 = r^2$$

$$(-3-p)^2 + (3-0)^2 = r^2$$

$$\underline{16 - 8p + p^2 + 16 = r^2}$$

$$\underline{9 + 6p + p^2 + 9 = r^2}$$

$$p^2 - 8p + 32 = r^2$$

$$p^2 + 6p + 18 = r^2 \cdot (-1)$$

$$\underline{p^2 - 8p + 32 = r^2}$$

$$\underline{-p^2 - 6p - 18 = -r^2} \quad | +$$

$$-14p + 14 = 0$$

$$-14p = -14 \quad | :(-14)$$

$$\boxed{p = 1}$$

$$1 - 8 + 32 = r^2$$

$$25 = r^2$$

$$\boxed{r^2 = 25}$$

$$(x-p)^2 + (y-q)^2 = r^2$$

$$\boxed{(x-1)^2 + y^2 = 25}$$

- 5) Odredi jednačinu kružnice poluprijeka $r=9$, koncentrične kružnici $x^2 + y^2 + 2x + 2y - 14 = 0$.

$$x^2 + y^2 + 2x + 2y - 14 = 0$$

$$x^2 + 2x + y^2 + 2y - 14 = 0$$

$$\underline{x^2 + 2x + 1 - 1 + y^2 + 2y + 1 - 1 - 14 = 0}$$

$$(x+1)^2 + (y+1)^2 - 16 = 0$$

$$(x+1)^2 + (y+1)^2 = 16$$

$$S(-1, -1)$$

$$S(-1, -1), r = 9$$

$$(x-p)^2 + (y-q)^2 = r^2$$

$$\boxed{(x+1)^2 + (y+1)^2 = 81}$$

- 6) Odredi međusobni položaj pravca $y = -x + 11$ i kružnice $(x-1)^2 + y^2 = 16$.

$$\begin{array}{l} (x-1)^2 + y^2 = 16 \\ y = -x + 11 \end{array}$$

$$\begin{aligned} (x-1)^2 + (-x+11)^2 &= 16 \\ x^2 - 2x + 1 + x^2 - 22x + 121 &= 16 \\ x^2 - 2x + 1 + x^2 - 22x + 121 - 16 &= 0 \\ 2x^2 - 24x + 106 &= 0 \quad /: 2 \\ x^2 - 12x + 53 &= 0 \end{aligned}$$

$$(-x+11)^2 = (x-11)^2 = x^2 - 22x + 121$$

$$D = b^2 - 4ac$$

$$D = (-12)^2 - 4 \cdot 1 \cdot 53$$

$$D = 144 - 212$$

$$D = -68 < 0$$

kwadratna jednadžba nema realnih rješenja \Rightarrow

pravac i kružnica nemaju zajedničkih točaka

- 7) Odredi dužinu tetive kružnice $x^2 + y^2 = 16$ odredene pravcem $y = -x$.

$$\begin{array}{l} x^2 + y^2 = 16 \\ y = -x \end{array}$$

$$\begin{aligned} x^2 + (-x)^2 &= 16 \\ x^2 + x^2 &= 16 \\ 2x^2 &= 16 \quad /: 2 \\ x^2 &= 8 \quad \sqrt{} \\ x &= \pm\sqrt{8} = \pm 2\sqrt{2} \end{aligned}$$

$$x_1 = 2\sqrt{2}$$

$$x_2 = -2\sqrt{2}$$

$$y_1 = -2\sqrt{2}$$

$$y_2 = 2\sqrt{2}$$

$$S_1(2\sqrt{2}, -2\sqrt{2}), S_2(-2\sqrt{2}, 2\sqrt{2})$$

$$\begin{aligned} t = |S_1 S_2| &= \sqrt{(x_2 - x_1)^2 + (y_2 - y_1)^2} = \sqrt{(-2\sqrt{2} - 2\sqrt{2})^2 + (2\sqrt{2} + 2\sqrt{2})^2} = \\ &= \sqrt{(-4\sqrt{2})^2 + (4\sqrt{2})^2} = \sqrt{16 \cdot 2 + 16 \cdot 2} = \sqrt{32 + 32} = \sqrt{64} = 8 \end{aligned}$$

$$\boxed{t = 8}$$

8) Napiši jednačbu tangente i normale na kružnicu $(x+1)^2 + (y-3)^2 = 169$ u njenoj tački $D(x > -1, -9)$.

$$(x+1)^2 + (y-3)^2 = 169$$

$$(x+1)^2 + (-9-3)^2 = 169$$

$$(x+1)^2 + (-12)^2 = 169$$

$$(x+1)^2 = 169 - 144$$

$$(x+1)^2 = 25 \quad | \sqrt{\quad}$$

$$x+1 = \pm 5$$

$$x_1 = 5-1 \quad x_2 = -5-1$$

$$x_1 = 4 \quad x_2 = -6$$

$$D(4, -9)$$

$$(x_0-p)(x-p) + (y_0-q)(y-q) = r^2$$

$$(4+1)(x+1) + (-9-3)(y-3) = 169$$

$$5(x+1) - 12(y-3) = 169$$

$$5x+5-12y+36 = 169$$

$$-12y = -5x + 169 - 5 - 36$$

$$-12y = -5x + 128 \quad | :(-12)$$

$$y = \frac{5}{12}x - \frac{128}{12}$$

$$t \dots \boxed{y = \frac{5}{12}x - \frac{32}{3}}$$

$$k_t = \frac{5}{12}, \quad k_n = -\frac{12}{5}, \quad D(4, -9)$$

$$y - y_1 = k(x - x_1)$$

$$y + 9 = -\frac{12}{5}(x - 4)$$

$$y + 9 = -\frac{12}{5}x + \frac{48}{5}$$

$$y = -\frac{12}{5}x + \frac{48}{5} - 9$$

$$y = -\frac{12}{5}x + \frac{48-45}{5}$$

$$n \dots \boxed{y = -\frac{12}{5}x + \frac{3}{5}}$$

9) Odredi jednačbe tangenti kružnice $(x-2)^2 + (y-2)^2 = 25$ paralelnih pravcu $3x - 4y - 1 = 0$.

$$3x - 4y - 1 = 0$$

$$-4y = -3x + 1 \quad | :(-4)$$

$$y = \frac{3}{4}x - \frac{1}{4}$$

$$k = \frac{3}{4}$$

$$(x-2)^2 + (y-2)^2 = 25$$

$$p = 2$$

$$q = 2$$

$$r^2 = 25$$

$$r^2(k^2+1) = (kp-q+l)^2$$

$$25\left(\frac{9}{16}+1\right) = \left(\frac{3}{4} \cdot \frac{3}{4} - 2 + l\right)^2$$

$$25 \cdot \frac{25}{16} = \left(\frac{9}{16} - 2 + l\right)^2$$

$$\frac{25 \cdot 25}{16} = \left(\frac{3-4}{2} + l\right)^2$$

$$\frac{625}{16} = \left(l - \frac{1}{2}\right)^2$$

$$\left(l - \frac{1}{2}\right)^2 = \frac{625}{16} \quad | \sqrt{\quad}$$

$$l - \frac{1}{2} = \pm \frac{25}{4}$$

$$l - \frac{1}{2} = \frac{25}{4}$$

$$l = \frac{25}{4} + \frac{1}{2}$$

$$l = \frac{25+2}{4}$$

$$l_1 = \frac{27}{4}$$

$$t_1 \dots \boxed{y = \frac{3}{4}x + \frac{27}{4}}$$

$$l - \frac{1}{2} = -\frac{25}{4}$$

$$l = -\frac{25}{4} + \frac{1}{2}$$

$$l = \frac{-25+2}{4}$$

$$l_2 = -\frac{23}{4}$$

$$t_2 \dots \boxed{y = \frac{3}{4}x - \frac{23}{4}}$$

10) Napiši rovnice tangent k kružnici $x^2 + y^2 - 14y + 32 = 0$,
 povučených z body $T(5, 4)$.

$$x^2 + y^2 - 14y + 32 = 0$$

$$x^2 + y^2 - 14y + 49 - 49 + 32 = 0$$

$$x^2 + (y - 7)^2 - 17 = 0$$

$$x^2 + (y - 7)^2 = 17$$

$$p = 0, q = 7, r^2 = 17$$

$$y = kx + l$$

$$T(5, 4)$$

$$4 = k \cdot 5 + l$$

$$4 = 5k + l$$

$$5k + l = 4$$

$$l = 4 - 5k$$

$$r^2(k^2 + 1) = (kp - q + l)^2$$

$$17(k^2 + 1) = (k \cdot 0 - 7 + 4 - 5k)^2$$

$$17k^2 + 17 = (-5k - 3)^2$$

$$17k^2 + 17 = (5k + 3)^2$$

$$17k^2 + 17 = 25k^2 + 30k + 9$$

$$17k^2 + 17 - 25k^2 - 30k - 9 = 0$$

$$-8k^2 - 30k + 8 = 0 \quad /: (-2)$$

$$4k^2 + 15k - 4 = 0$$

$$k_{1,2} = \frac{-15 \pm \sqrt{225 + 64}}{8} = \frac{-15 \pm \sqrt{289}}{8} = \frac{-15 \pm 17}{8}$$

$$k_1 = \frac{-15 + 17}{8} = \frac{2}{8} = \frac{1}{4} \quad , \quad k_2 = \frac{-15 - 17}{8} = \frac{-32}{8} = -4$$

$$l_1 = 4 - 5 \cdot \frac{1}{4}$$

$$= 4 - \frac{5}{4}$$

$$= \frac{16 - 5}{4}$$

$$= \frac{11}{4}$$

$$l_2 = 4 - 5 \cdot (-4)$$

$$= 4 + 20$$

$$= 24$$

$$t_1 \dots \boxed{y = \frac{1}{4}x + \frac{11}{4}}$$

$$t_2 \dots \boxed{y = -4x + 24}$$

ELIPSA

- 1) Odredi komornsku jednačinu, veliku i malu poluos, linearui ekscentricitet, tjemena i žarišta te skiciraj elipsu danu jednačinom

$$x^2 + 4y^2 = 25$$

$$x^2 + 4y^2 = 25 / : 25$$

$$\frac{x^2}{25} + \frac{4y^2}{25} = 1$$

$$\frac{x^2}{25} + \frac{4y^2}{25} = 1$$

$$a^2 = 25 \Rightarrow a = 5$$

$$b^2 = \frac{25}{4} \Rightarrow b = \frac{5}{2}$$

$$e^2 = a^2 - b^2$$

$$e^2 = 5^2 - \left(\frac{5}{2}\right)^2$$

$$e^2 = 25 - \frac{25}{4}$$

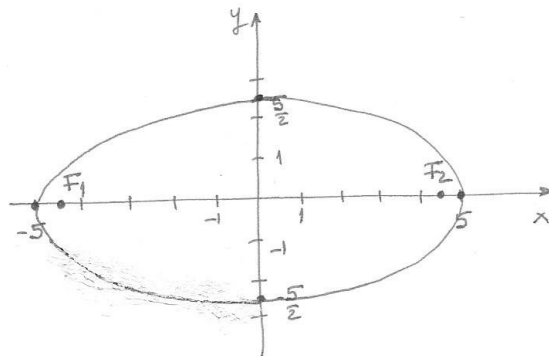
$$e^2 = \frac{100 - 25}{4}$$

$$e^2 = \frac{75}{4} \quad \sqrt{\quad}$$

$$e = \frac{\sqrt{75}}{2} = \frac{\sqrt{25 \cdot 3}}{2} = \frac{5\sqrt{3}}{2}$$

$$tj.: \begin{matrix} A(-5, 0), B(5, 0) \\ C(-\frac{5}{2}, \frac{5}{2}), D(0, \frac{5}{2}) \end{matrix}$$

$$žari.: F_1\left(-\frac{5\sqrt{3}}{2}, 0\right), F_2\left(\frac{5\sqrt{3}}{2}, 0\right)$$



- 2) Napiši jednačinu elipse koja prolazi tačkama A(4, 3/2) i B(3, 2).

$$\frac{x^2}{a^2} + \frac{y^2}{b^2} = 1$$

$$\frac{16}{a^2} + \frac{9}{4b^2} = 1$$

$$\frac{9}{a^2} + \frac{4}{b^2} = 1$$

$$16 \cdot \frac{1}{a^2} + \frac{9}{4} \cdot \frac{1}{b^2} = 1$$

$$9 \cdot \frac{1}{a^2} + 4 \cdot \frac{1}{b^2} = 1$$

$$\frac{1}{a^2} = u, \quad \frac{1}{b^2} = v$$

$$16u + \frac{9}{4}v = 1 / \cdot 4$$

$$9u + 4v = 1$$

$$64u + 9v = 4 / \cdot 4$$

$$9u + 4v = 1 / \cdot (-9)$$

$$256u + 36v = 16 \quad | +$$

$$-81u - 36v = -9$$

$$175u = 7 / : 175$$

$$u = \frac{7}{175} = \frac{1}{25}$$

$$u = \frac{1}{25}$$

$$\frac{1}{a^2} = \frac{1}{25} \Rightarrow a^2 = 25$$

$$9 \cdot \frac{1}{25} + 4v = 1$$

$$\frac{9}{25} + 4v = 1$$

$$4v = 1 - \frac{9}{25}$$

$$4v = \frac{25-9}{25}$$

$$4v = \frac{16}{25} / : 4$$

$$v = \frac{4}{25}$$

$$\frac{1}{b^2} = \frac{4}{25} \Rightarrow b^2 = \frac{25}{4}$$

$$\boxed{\frac{x^2}{25} + \frac{y^2}{\frac{25}{4}} = 1}$$

3) Napiši jednadžbu elipse u kojoj je $a=5$, $|F_1F_2|=8$.

$$|F_1F_2| = 2e = 8 \Rightarrow e = 4$$

$$a = 5$$

$$b^2 = a^2 - e^2 = 25 - 16 = 9$$

$$b^2 = 9 \sqrt{\quad}$$

$$\boxed{b=3}$$

$$\boxed{\frac{x^2}{25} + \frac{y^2}{9} = 1}$$

4) Napiši jednadžbu elipse kojoj je jedno sjeme $A(-5,0)$, a prolazi točkom $(4, \frac{6}{5})$.
 $\hookrightarrow a=5$
 $\times 4$

$$\frac{x^2}{a^2} + \frac{y^2}{b^2} = 1$$

$$\frac{16}{a^2} + \frac{36}{b^2} = 1$$

$$\frac{16}{25} + \frac{36}{25b^2} = 1 \quad / \cdot 25b^2$$

$$16b^2 + 36 = 25b^2$$

$$-9b^2 = -36 \quad / : (-9)$$

$$\boxed{b^2=4}$$

$$\boxed{\frac{x^2}{25} + \frac{y^2}{4} = 1}$$

5) Napiši jednadžbu elipse kojoj je $a+b=16$ i linearni ekscentricitet $e=8$.

$$a+b=16 \Rightarrow b=16-a$$

$$e=8$$

$$a^2 = b^2 + e^2$$

$$a^2 = (16-a)^2 + 8^2$$

$$a^2 = 256 - 32a + a^2 + 64$$

$$32a = 256 + 64$$

$$32a = 320 \quad / : 32$$

$$\boxed{a=10}$$

$$b=16-a$$

$$\boxed{b=6}$$

$$\boxed{\frac{x^2}{100} + \frac{y^2}{36} = 1}$$

6) Vdredi međusobni položaj pravca $y = \frac{1}{2}x + \frac{5}{2}$ i elipse $4x^2 + 9y^2 = 36$.

$$\begin{aligned} 4x^2 + 9y^2 &= 36 \\ y &= \frac{1}{2}x + \frac{5}{2} \end{aligned}$$

$$4x^2 + 9\left(\frac{1}{2}x + \frac{5}{2}\right)^2 = 36$$

$$4x^2 + 9\left(\frac{1}{4}x^2 + 2 \cdot \frac{1}{2}x \cdot \frac{5}{2} + \frac{25}{4}\right) = 36$$

$$4x^2 + \frac{9}{4}x^2 + \frac{45}{2}x + \frac{225}{4} = 36 \quad / \cdot 4$$

$$16x^2 + 9x^2 + 90x + 225 = 144$$

$$25x^2 + 90x + 81 = 0$$

$$D = b^2 - 4ac$$

$$D = 90^2 - 4 \cdot 25 \cdot 81$$

$$D = 8100 - 8100$$

$$D = 0$$

\Rightarrow pravac i elipsa imaju jednu zajedničku točku

\Rightarrow pravac je tangenta elipse

7) Vdredi presječne točke pravca $x=6$ i elipse $x^2 + 4y^2 = 100$.

$$\begin{aligned} x^2 + 4y^2 &= 100 \\ x &= 6 \end{aligned}$$

$$36 + 4y^2 = 100$$

$$4y^2 = 100 - 36$$

$$4y^2 = 64 \quad / : 4$$

$$y^2 = 16 \quad \sqrt{\quad}$$

$$y_{1,2} = \pm 4$$

$$\begin{aligned} S_1(6, 4) \\ S_2(6, -4) \end{aligned}$$

8) Vdredi jednačinu tangente i normale elipse $4x^2 + 25y^2 = 100 \quad / : 100$ u njenoj točki $D(x_0, \frac{6}{5})$.

$$4x^2 + 25y^2 = 100$$

$$4x^2 + 25 \cdot \frac{36}{25} = 100$$

$$4x^2 + 36 = 100$$

$$4x^2 = 100 - 36$$

$$4x^2 = 64 \quad / : 4$$

$$x^2 = 16 \quad \sqrt{\quad}$$

$$x_1 = 4, \quad x_2 = -4$$

$$D(-4, \frac{6}{5})$$

$$\frac{x_0 \cdot x}{a^2} + \frac{y_0 \cdot y}{b^2} = 1$$

$$-\frac{4x}{25} + \frac{\frac{6}{5}y}{4} = 1$$

$$-\frac{4x}{25} + \frac{6y}{20} = 1$$

$$-\frac{4x}{25} + \frac{3y}{10} = 1 \quad / \cdot 50$$

$$-8x + 15y = 50$$

$$15y = 8x + 50 \quad / : 15$$

$$y = \frac{8}{15}x + \frac{50}{15}$$

$$t \dots \quad y = \frac{8}{15}x + \frac{10}{3}$$

$$\frac{x^2}{25} + \frac{y^2}{4} = 1$$

$$k_t = \frac{8}{15}$$

$$k_n = -\frac{15}{8}, \quad D(-4, \frac{6}{5})$$

$$y - y_1 = k(x - x_1)$$

$$y - \frac{6}{5} = -\frac{15}{8}(x + 4)$$

$$y - \frac{6}{5} = -\frac{15x}{8} - \frac{15}{2}$$

$$y = -\frac{15}{8}x - \frac{15}{2} + \frac{6}{5}$$

$$y = -\frac{15}{8}x + \frac{-75 + 12}{10}$$

$$n \dots \quad y = -\frac{15}{8}x - \frac{63}{10}$$

9) Kako glase jednačbe tangenti ellipse $4x^2 + 9y^2 = 36$, koje su okomite na pravac $y = -\frac{9}{8}x + 5$?

$$4x^2 + 9y^2 = 36 \quad | :36$$

$$1 \frac{x^2}{9} + 1 \frac{y^2}{4} = 1$$

$$\frac{x^2}{9} + \frac{y^2}{4} = 1$$

$$a^2 = 9, \quad b^2 = 4$$

$$k = \frac{8}{9}$$

$$a^2 k^2 + b^2 = l^2$$

$$1 \cdot \frac{64}{81} + 4 = l^2$$

$$\frac{64}{9} + 4 = l^2$$

$$\frac{64+36}{9} = l^2$$

$$\frac{100}{9} = l^2$$

$$l^2 = \frac{100}{9} \quad | \sqrt{\quad}$$

$$l_{1,2} = \pm \frac{10}{3}$$

$$t_1 \dots \boxed{y = \frac{8}{9}x + \frac{10}{3}}$$

$$t_2 \dots \boxed{y = \frac{8}{9}x - \frac{10}{3}}$$

10) Pod kojim se kutom iz točke $T(7, -2)$ vidi elipsa $\frac{x^2}{16} + \frac{y^2}{9} = 1$?

$$a^2 = 16, \quad b^2 = 9$$

$$y = kx + l$$

$$T(7, -2)$$

$$-2 = 7k + l$$

$$-l = 7k + 2 \quad | :(-1)$$

$$l = -7k - 2$$

$$a^2 k^2 + b^2 = l^2$$

$$16k^2 + 9 = (-7k - 2)^2 \quad \rightarrow = (7k + 2)^2$$

$$16k^2 + 9 = 49k^2 + 28k + 4$$

$$16k^2 + 9 - 49k^2 - 28k - 4 = 0$$

$$-33k^2 - 28k + 5 = 0 \quad | :(-1)$$

$$33k^2 + 28k - 5 = 0$$

$$k_{1,2} = \frac{-28 \pm \sqrt{28^2 - 4 \cdot 33 \cdot (-5)}}{2 \cdot 33} = \frac{-28 \pm \sqrt{784 + 660}}{66}$$

$$= \frac{-28 \pm \sqrt{1444}}{66} = \frac{-28 \pm 38}{66}$$

$$k_1 = \frac{-28 + 38}{66} = \frac{10}{66} = \frac{5}{33}$$

$$k_2 = \frac{-28 - 38}{66} = -\frac{66}{66} = -1$$

$$\begin{aligned} \operatorname{tg} \varphi &= \left| \frac{k_2 - k_1}{1 + k_1 \cdot k_2} \right| = \left| \frac{-1 - \frac{5}{33}}{1 + \frac{5}{33} \cdot (-1)} \right| = \left| \frac{\frac{-33 - 5}{33}}{1 - \frac{5}{33}} \right| = \left| \frac{\frac{-38}{33}}{\frac{33 - 5}{33}} \right| \\ &= \left| \frac{-38}{33} \cdot \frac{33}{28} \right| = \left| -\frac{19}{14} \right| = \frac{19}{14} \end{aligned}$$

$$\varphi = \operatorname{tg}^{-1} \left(\frac{19}{14} \right)$$

$$\boxed{\varphi = 53^\circ 36' 56''}$$